



AIEQS

Arka Behbood Farayand (LLC)
Process Development

SAMPLE GAS PROBE SGP912



Highlights:

- Heated with set point up to 200 °C
- Status Alarm Ready to work signal
- Cut off power alarm >30 °C of set point
- With 2micron ceramic and SS 316 filter
- With PID electronic controller (optional)
- With Pre-Filter for High Dust Applications (optional)
- Dual sample gas outlet (optional)
- Purge Gas inlet (optional)
- Calibration Gas inlet (optional)

Applications:

- Suitable to install in gas analyzer system of Cement, Steel plants
- For gas analyzer system of Kiln inlet combustion control in cement plants
- For gas analyzer system of Calcination combustion control in cement plants
- For gas analyzer system to Prevent explosion of Electrostatic filters in cement plants
- For gas analyzer system of Process control of DRI steel plans
- For gas analyzer system of Metallurgy gas measurements (heat treatments of parts by gas)
- Any other application by request

Power Supply for Heated Version: 220 VAC, max 800 Watts
Calibration gas inlet check valve: check valve pressure > 0.7 barg
Purge air pressure: 2-6 barg
Flange Size: DN65 PN6 (2 1/2") SS316 or ANSI 2" class 150

ویژگیها :

- هیتر دار قابل تنظیم و کنترل تا دمای ماکزیمم 200 °C
- آلامر اعلام وضعیت آماده بکار
- آلامر حفاظتی در دمای 30 °C بالاتر از دمای تنظیم شده
- دارای فیلتر با مش ۲ میکرون از جنس سرامیک و استیل
- PID کنترلر الکترونیکی (بصورت انتخابی)
- نصب Pre-Filter (بصورت انتخابی)
- دارای دو خروجی گاز (بصورت انتخابی)
- دارای ورودی گاز کالیبراسیون و سیستم Purge (بصورت انتخابی)

کاربردها :

- نصب در سیستم های آنالایزر بر خط گاز در کلیه صنایع
- سیستم آنالایزر بر خط گاز در صنعت سیمان، پایش گازهای فرآیندی در دهانه کوره دوار
- سیستم آنالایزر بر خط گاز در صنعت سیمان، در کلساینر
- سیستم آنالایزر بر خط گاز در صنعت سیمان، پایش فرآیند و محافظت از فیلتر الکتروستاتیکی در پیش گرم کن
- سیستم آنالایزر بر خط گاز در صنعت فولاد، کنترل فرآیند کارخانجات احیا مستقیم آهن
- سیستم آنالایزر بر خط گاز در صنعت فولاد، اندازه گیری گاز در صنعت متالوژی و کنترل کیفیت محصول نهایی فولادی (نورد، قطعه سازی، عملیات حرارتی) و سایر کاربردها به سفارش



Unit9, NO.10, East Taghdiri St. Valiasr St
 Ferdous BLV. 2nd Sadeghiyeh Sq. Tehran
 P Code:1481793968 021.44015428-9
 www.aieqs.com www.apds.ir
 info@apds.ir





Technical Information for SGP912

HOW TO ORDER

1

1st Generation of Sample gas probe AIEQS	0	Without pre filter (note sample tubes Should be selected)					
	1	With pre filter					
	9 8 7 6	Type of filter	No. of outlets	Blow Back	9	Filter element type S-2K-150. Length: 150mm, material: ceramics, filter porosity: 2µm.	
					8	Filter element type F-3SS150. Length: 150mm, material: SS316, filter porosity: 3µm.	
					7	Filter element type S-2K-75. Length: 75mm, material: ceramics, filter porosity: 2µm.	
					6	Other filters	
	1 2	No. of outlets	1	one gas sample outlet			
			2	double gas sample out let			
	0 1 2	Blow Back	0	Without			
			1	Blow Back inside housing			
2			Blow Back inside filter				
0 1	Blow Back	0	Without Gas Calibration inlet				
		1	With Gas Calibration inlet				
0 1	Blow Back	0	Without isolation ball-vale from process				
		1	With isolation ball-vale from process				
912	*	*	*	*	*	*	Notes

Example:

912	0	9	1	1	0	0	
-----	---	---	---	---	---	---	--

Example of SGP912 - PN: 912091100

1st generation sample gas probe 912 series, without Pre-Filter - with Filter element type S-2K-150. Length: 150mm, material: ceramics, filter porosity: 2µm, single gas outlet with blow back without gas calibration inlet without isolation ball vale from process

Example of SGP Sample Tube: 91TSS0600, probe tube type /SS. Connection thread: G3/4", length: 1m. Material: SS316.

2

**Filters
Technical
Data**



1590S0020

Filter element type S-2K150. Length: 150mm material: ceramics filter porosity: 2µm

Manufacturer

M&C- Germany



1590S0015

Filter element type S-2K75. Length: 75mm material: ceramics filter porosity: 2µm

Manufacturer

M&C-Germany



1590F0126

Filter element type F-3SS150. Length: 150mm material: SS316 filter porosity: 3µm

Manufacturer

M&C- Germany

Ceramic

Ceramic

SS 316

Note: other type of filers with other filter porosity also available, optional as order





TYPE OF PRE FILTER

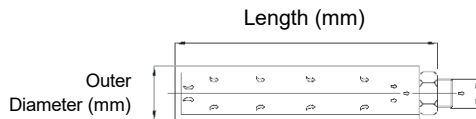
3 Type of Pre filter

Part-No.	Temp. max. (°C)	Material Filter / Connection	Filter porosity (micron)	Dust content (g/m3)	Inside volume displacer	Back-purging	Length (mm)	Filter Outer diameter (mm)	Connection „G“
1520S9085	600	steel 316/316Ti	2	2-10		Yes	220	46	G 3/4" a
1520S9105	600	steel 316/316Ti	2	2-10	X	Yes	220	46	G 3/4" a
1520S9095	900	Hastelloy-C	2	2-10		Yes	220	46	G 3/4" a
1520S9115	900	Hastelloy-C	2	2-10	X	Yes	220	46	G 3/4" a
1520S9315	200	PTFE / steel 316Ti	3	> 10		Yes 2)	400	65	G 3/4" a
1520S9125	600	steel 316/316Ti	2	> 10		Yes	520	60	G 3/4" a
1520S9145	600	steel 316/316Ti	2	> 10	X	Yes	520	60	G 3/4" a
1520S9135	900	Hastelloy-C	2	> 10		Yes	520	60	G 3/4" a
1520S9155	900	Hastelloy-C	2	> 10	X	Yes	520	60	G 3/4" a
1520S9290	600	steel 316/316Ti	2	2-10		Yes	¹⁾ 300	31	G 3/4" a
1520S9300	600	steel 316/316Ti	2	2-10	X	Yes	¹⁾ 300	31	G 3/4" a
1520S9127	500	steel 316/316Ti	3	2-10		Yes 2)	220	50	G 3/4" a
1520S9128	500	steel 316/316Ti	3	> 10		Yes 2)	520	60	G 3/4" a

¹⁾ Pre-filter optional up to 1000 mm length available.

²⁾ Pre-filter with special construction for efficient back purge.

Manufacturer: M&C- Germany



Pre -Filter Materials:

- ✓ steel 316/316Ti
- ✓ Hastelloy-C

Max 900 °C



1520S9085

Pre-filter type V20 for SP2000-H. Stainless steel filter without volume displacer. Length: 220mm, 46mm OD. Filter porosity: 2µm, temperature: max. 600°C. Connection: G3/4". Material: SS316.

Max 600°C

Application

continuous gas sampling in processes with High dust loadings

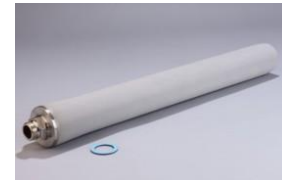
Manufacturer: M&C- Germany



1520S9125

Pre-filter type V20-2 for SP2000-H. Stainless steel filter without volume displacer. Length: 520mm, 60mm OD. Filter porosity: 2µm, temperature: max. 600°C. Connection: G3/4". Material: SS316.

Max 600°C



1520S9135

Pre-filter type V20-2/HC for SP2000-H. Hastelloy filter without volume displacer. Length: 520mm, 60mm OD. Filter porosity: 2µm, temperature: max. 900°C. Connection: G3/4". Material: Hastelloy-X

Max 600°C



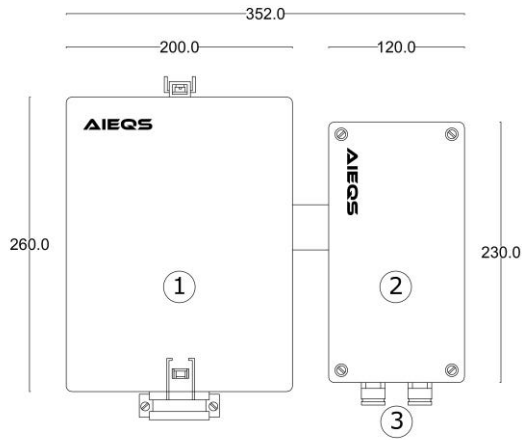


AIEQS

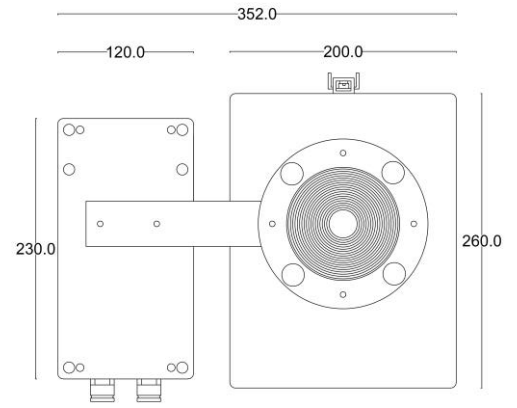
Arka Behbood Farayand (LLC)
Process Development

4

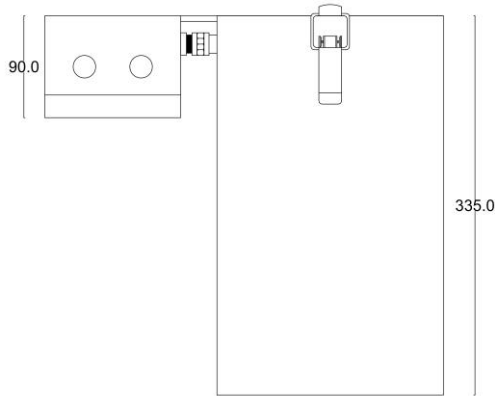
Dimensions



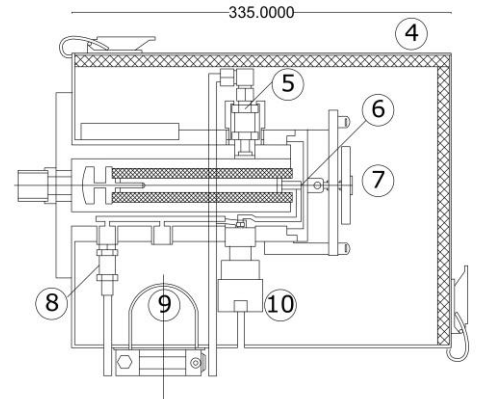
FRONT VIEW



BACK VIEW



TOP VIEW



INSIDE VIEW

- 1** Main body SGP
- 2** Junction Box
- 3** JB Gland
- 4** Cover
- 5** Check Valve for Purging
- 6** Filter Housing lid and Filter Element
- 7** Press Screw and Clamp Clip
- 8** Calibration Valve
- 9** Silicon Cap for Heated Line
- 10** Isolation Valve Bellows

